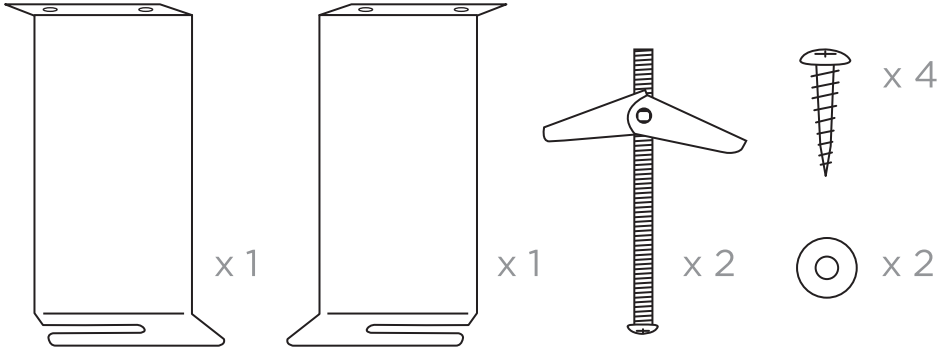
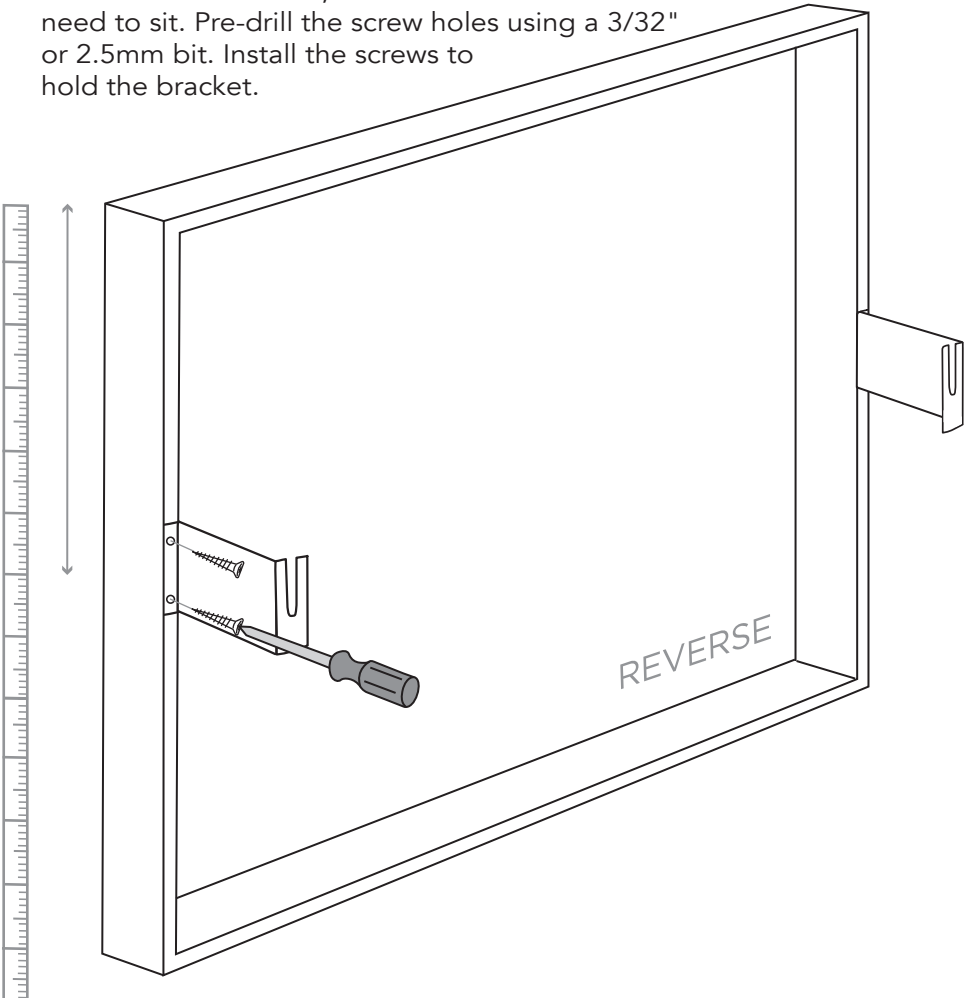


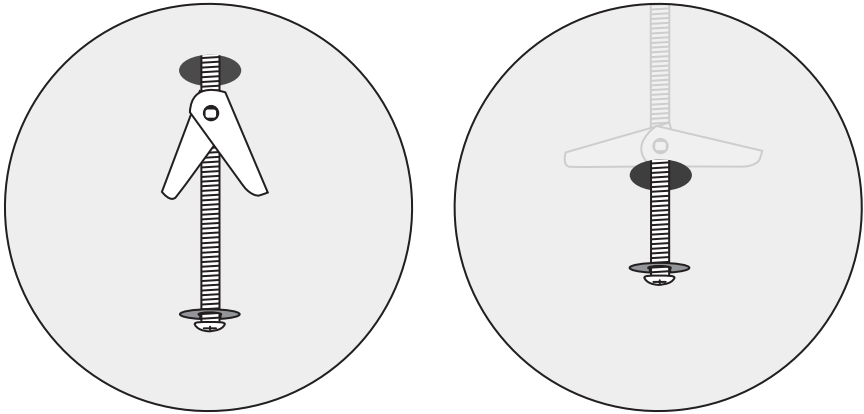
# CEILING CLOUD BRACKETS



- 1** Measure the panel and mark the center. Center the bracket over the mark, and mark where the screws need to sit. Pre-drill the screw holes using a 3/32" or 2.5mm bit. Install the screws to hold the bracket.



- 2** Measure between the 2 brackets and then mark this measurement on the ceiling where you'll need to install the toggle bolts. Use a 5/8 - 3/4 or 18mm drill bit to make the holes. Ensure the washer is next to the screw head on the toggle bolt, then slide it up into the hole, pulling it down to secure



**PLEASE NOTE:** These toggle bolts are for **plasterboard/sheetrock ceiling only**  
 Please use correct fixings for ceiling type.

- 3** Lift panel up into position, slide brackets onto screws between washers and ceiling. Tighten both screws to secure panel in place.

